

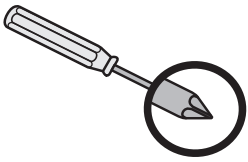
IT IS HIGHLY RECOMMENDED THAT THE INSTRUCTIONS BE READ THROUGH BEFORE INSTALLATION.



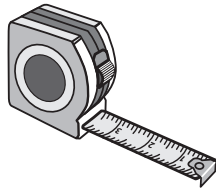
SIERRA 800 SCREENED PORCH • GAZEBOS • GARAGE OPENINGS INSTALLATION INSTRUCTIONS

INSTALLATION TOOLS

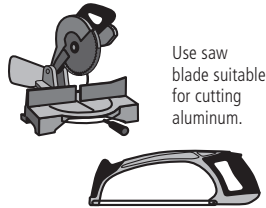
PHILLIPS SCREWDRIVER



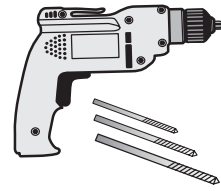
MEASURING TAPE



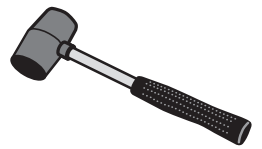
HAND-HELD OR POWER SAW



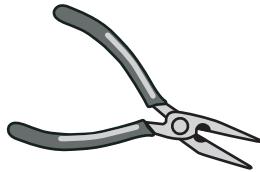
POWER DRILL & BITS



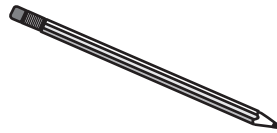
RUBBER Mallet



NEEDLE PLIERS

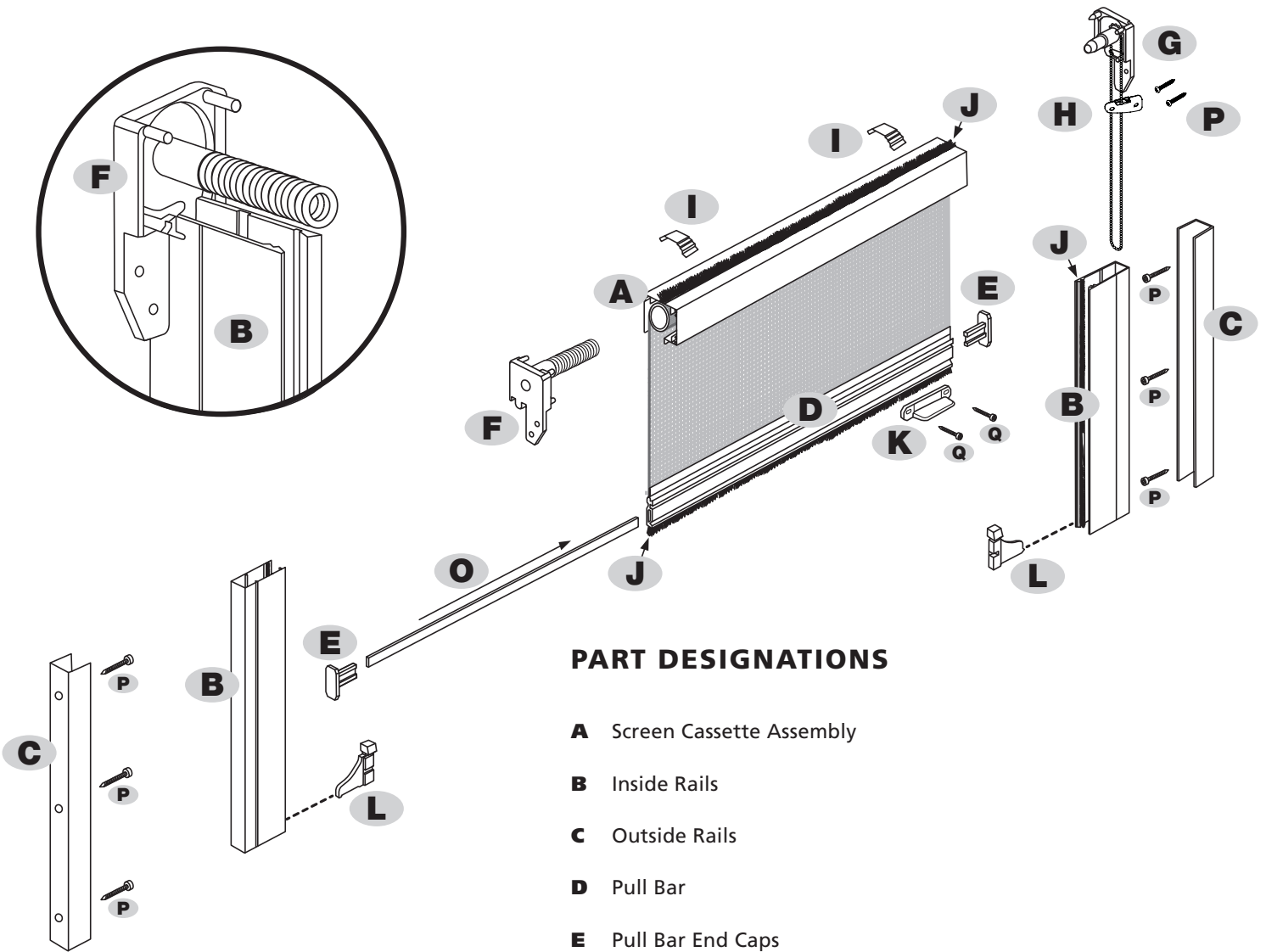


PENCIL OR PEN



The instructions are split into two sections: **RECESS INSTALLATION, PAGE 2**, and **SURFACE INSTALLATION, PAGE 6**. Determine which you need before starting.

If you ordered a custom made screen skip directly to step 3.



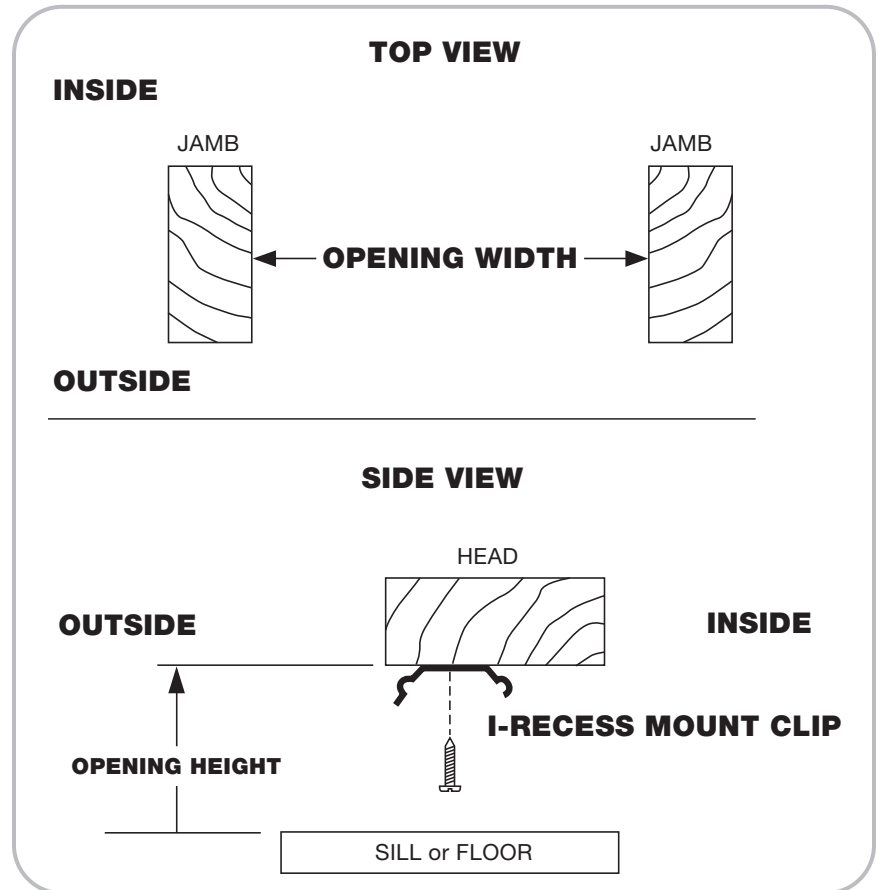
PART DESIGNATIONS

- A** Screen Cassette Assembly
- B** Inside Rails
- C** Outside Rails
- D** Pull Bar
- E** Pull Bar End Caps
- F** End Cap with Spring
- G** End Cap with Chain
- H** Tension Device
- I** Recess Mount Clips
- J** Weatherstrip
- K** Foot Release Lever
- L** Pull Bar Locks
- O** Weight Bar
- P** #8 x 3/4" (19mm) Panhead Screw
- Q** #6 x 3/8" (9mm) Phillips Panhead Screw

If you ordered a custom made screen skip directly to step 3.

1 MEASURING AND CUTTING

Determine the maximum opening height & width for mounting your screen, as shown below. Check for interference with any door or window.



IMPORTANT

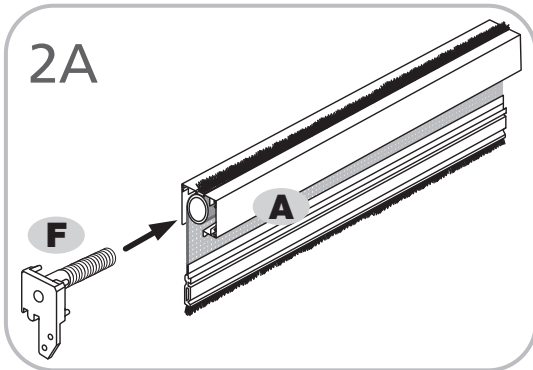
Be sure to make smooth, straight cuts. Only cut the A-Screen Cassette Assembly on the end *without* the G-End Cap with Operating Wand.

Record your opening measurements on the chart below to calculate your measurements.

Width		
OPENING WIDTH	LESS 7/8" TO ALLOW FOR END CAPS	CASSETTE LENGTH (A)
_____ "	— 7/8"	= _____ "
Height		
OPENING HEIGHT	LESS 2-1/8" TO ALLOW FOR CASSETTE END CAPS AND RECESS MOUNT CLIPS	INSIDE & OUTSIDE RAIL LENGTHS (B & C)
_____ "	— 2 1/8"	= _____ "

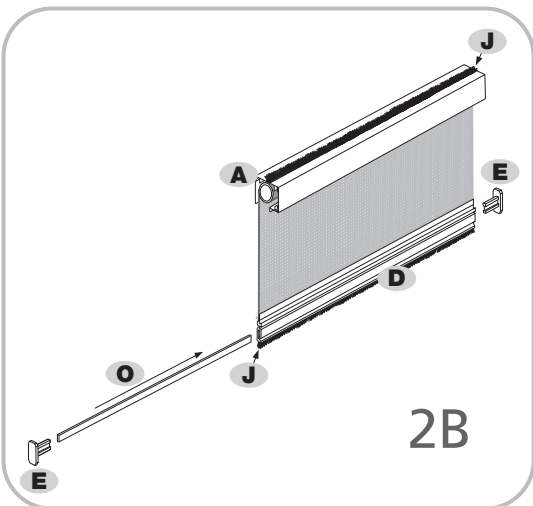
Cut all parts to length using the calculations above.

Keep the plastic film on the cassette until all cuts are completed.



2 PREPARING THE SCREEN CASSETTE

Insert **F-End Cap with Spring** into the correct end of the **A-Screen Cassette Assembly** [Fig 2A] (the assembly will only fit correctly in one end). Make sure to line up the spring and bushing notches with one of the small slots in the center screen tube. Wind the spring clockwise the number of turns designated in the following chart and push the **F-End Cap with Spring** in place on the **A-Screen Cassette Assembly**. A rubber mallet is helpful to fully seat the **F-End Cap with Spring**. Note that the spring in the cassette is for tension only. You will need to raise and lower the screen by using the **G-End Cap with Operating Wand**.

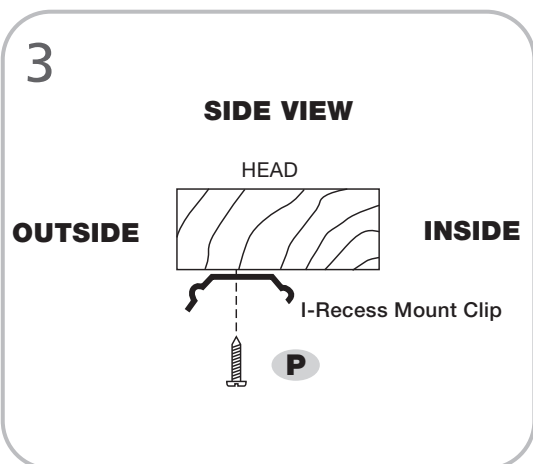


OPENING WIDTH	SPRING TENSION
36" - 72"	25
73" - 120"	30
120" - 140"	35
140" - 192"	40

OPPOSITE END OF CARTRIDGE

Test **Operating Wand** (see page 10) for smooth operation. If it's too tight, loosen allen screw on the **G-End Cap with Operating Wand**. Insert the **G-End Cap with Operating Wand** into **A-Screen Cassette Assembly** and push into place.

Slide one piece of the **J-Weatherstrip** into bottom slot of **D-Pull Bar** and the other piece into the top of **A-Screen Cassette Assembly**. The **M-Weight Bars** are already inserted inside the **D-Pull Bar**. Now insert the **E-Pull Bar End Caps** into ends of **D-Pull Bar** [Fig 2B].



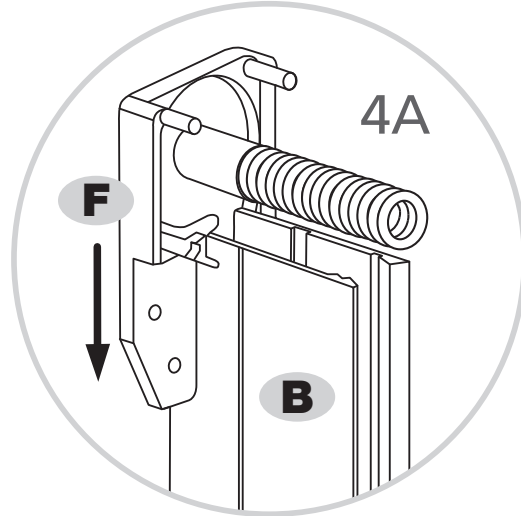
3 MOUNTING THE SCREEN CASSETTE

Mount the **I-Recess Mount Clips** to the inside of opening. When installed, the clips will be centered above the cassette. Install a **N-#8x3/4" (19mm) Panhead Screw** into the center of the slot to allow front to back adjustment [Fig 3].

Snap the **A-Screen Cassette Assembly** into place. Secure the **A-Screen Cassette Assembly** in place by screwing the **F-End Cap** and **G-End Cap** to the side jamb of the opening. The **I-Recess Mount Clips** and **A-Screen Cassette Assembly** may be reversed to face toward the inside or outside of an opening depending upon which side the **Operating Wand** needs to be accessible.

NOTE: the **I-Recess Mount Clips** lower the **A-Screen Cassette Assembly** in the opening by 1/4". The same 1/4" gap should be left above the **F & G-End Caps** to avoid bowing the cassette.

4 INSTALLING SIDE RAILS

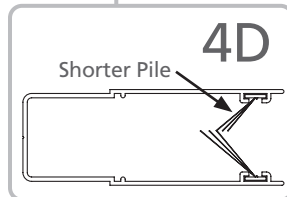
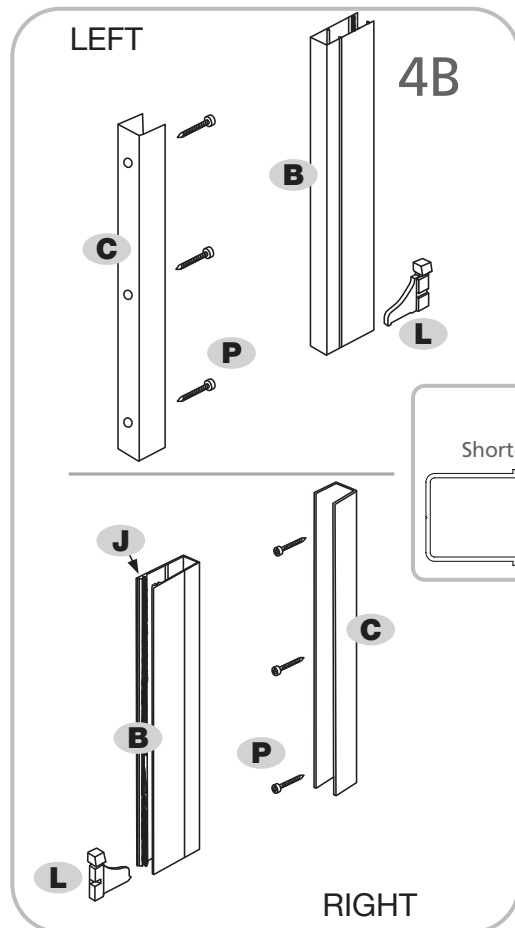


Install the L-Pull Bar Locks at the bottom of each B-Inside Rail. Be sure that the L-Pull Bar Locks can engage the D-Pull Bar as shown [Fig 4C]. Slide both C-Outside Rails onto the tabs protruding from the F and G-Cassette End Caps [Fig 4A]. Attach to jamb with N-#8x3/4" (19mm) Panhead Screws. Press B-Inside Rails into C-Outside Rails [Fig 4B] with the shorter pile to the inside [Fig 4D] until they are evenly seated.

Using the height adjustment wheels on the L-Pull Bar Locks, adjust the height to the appropriate level so they easily engage the D-Pull Bar. When correctly adjusted, the latching and unlatching should be smooth and easy.

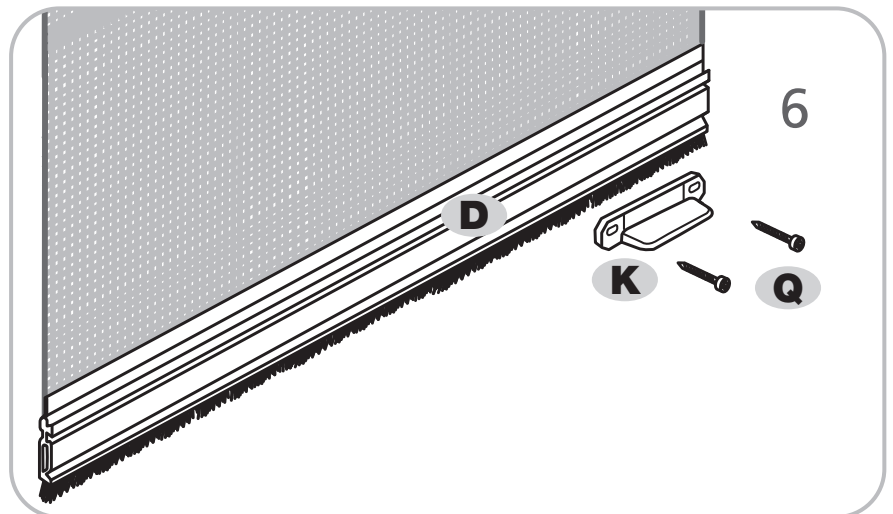
5 INSTALL THE TENSION DEVICE

Go to page 10.



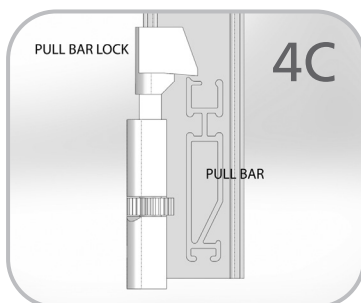
6 FOOT RELEASE LEVER

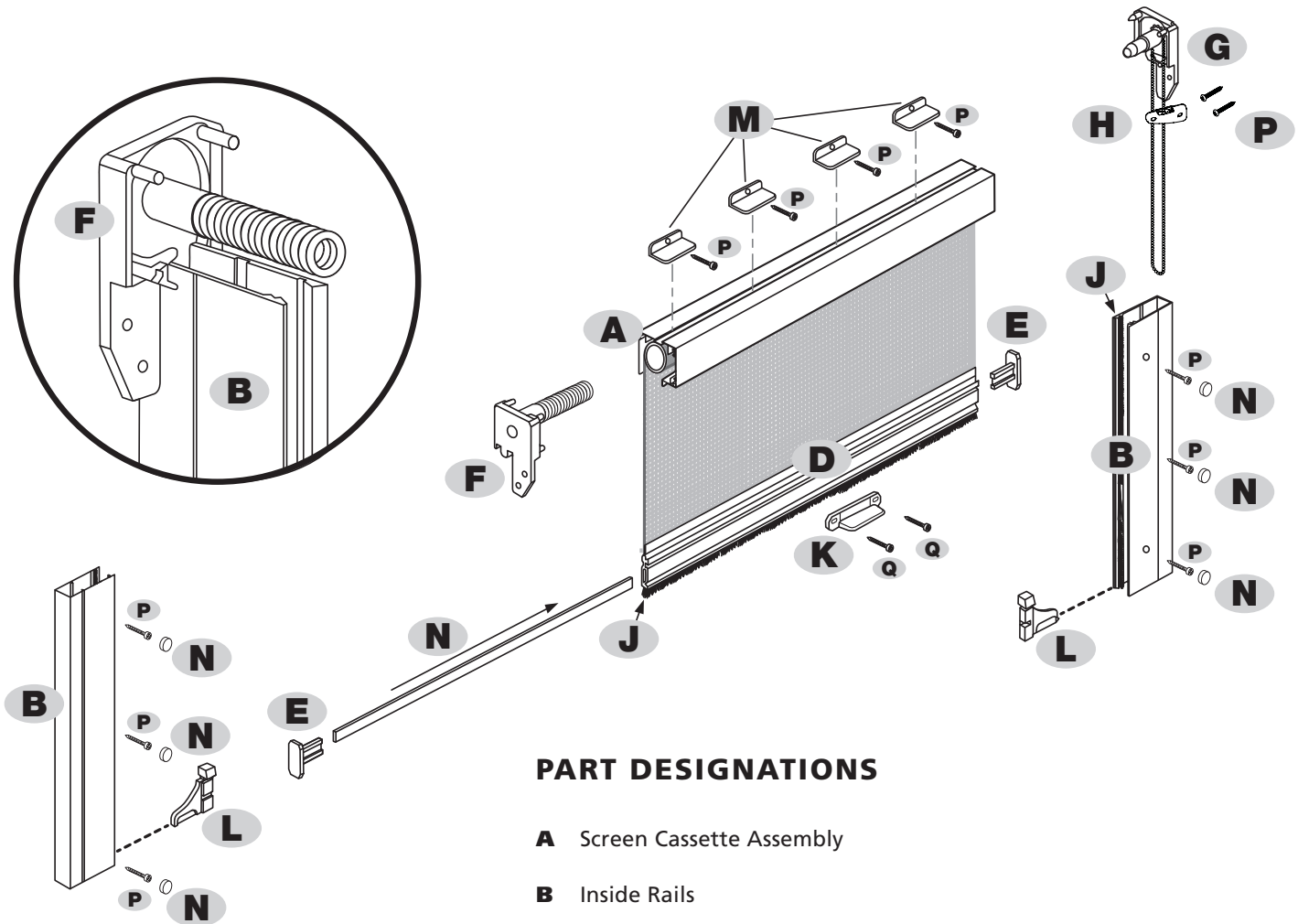
The K-Foot Release Lever is an optional feature that makes it easier to slightly rotate the D-Pull Bar in order to disengage the L-Pull Bar Locks [Fig 4C] without bending over. Before installing, position the K-Foot Release Lever 16" to 20" from the end of the D-Pull Bar on the side closest to the Operating Wand. Attach the K-Foot Release Lever to the D-Pull Bar using two O-#6 x 3/8" (9mm) Phillips Panhead Screws.



Windy conditions may affect the performance of a retractable screen. Retract the screen in windy circumstances, during inclement weather, when not needed to support immediate ventilation or during prolong periods when not used.

See page 10 for Operating Wand Instructions.





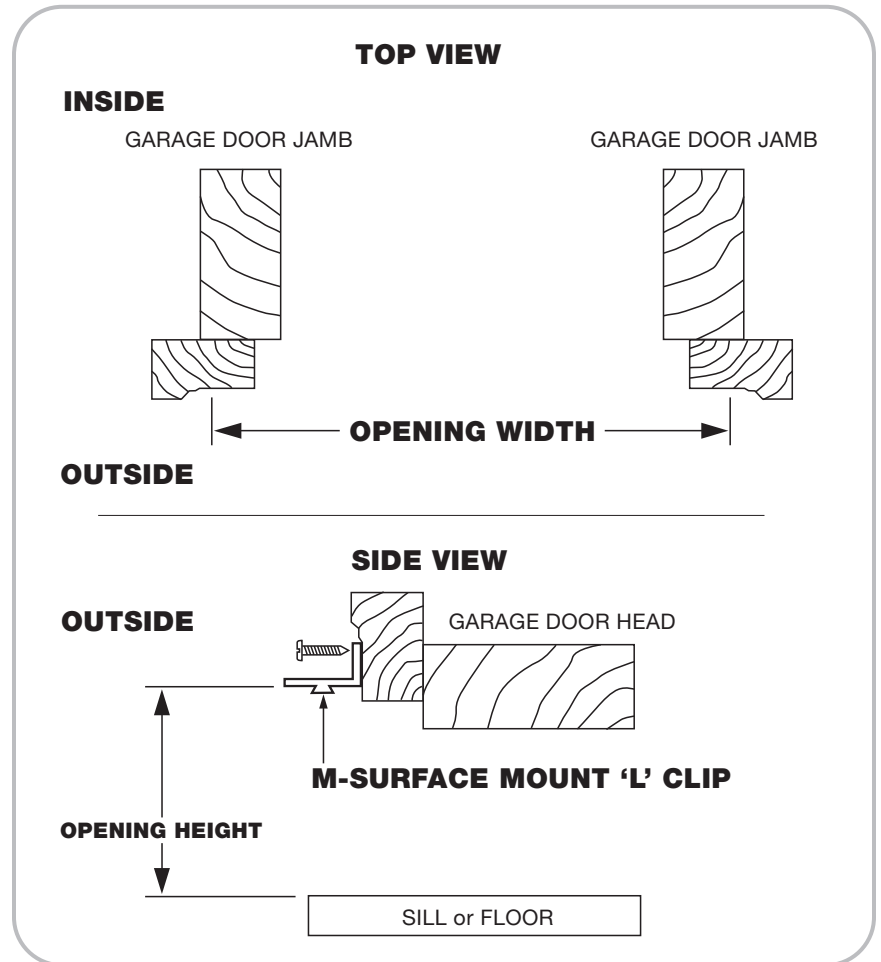
PART DESIGNATIONS

- A** Screen Cassette Assembly
- B** Inside Rails
- D** Pull Bar
- E** Pull Bar End Caps
- F** End Cap with Spring
- G** End Cap with Chain
- H** Tension Device
- J** Weatherstrip
- K** Foot Release Lever
- L** Pull Bar Locks
- M** Surface Mount 'L' Clips
- N** Screw Cover Caps
- O** Weight Bar
- P** P-#8 x 3/4" (19mm) Panhead Screw
- Q** #6 x 3/8" (9mm) Phillips Panhead Screw

If you ordered a custom made screen skip directly to step 3.

1 MEASURING AND CUTTING

Determine the maximum opening height & width for mounting your screen, as shown below. Check for interference with any door or window.

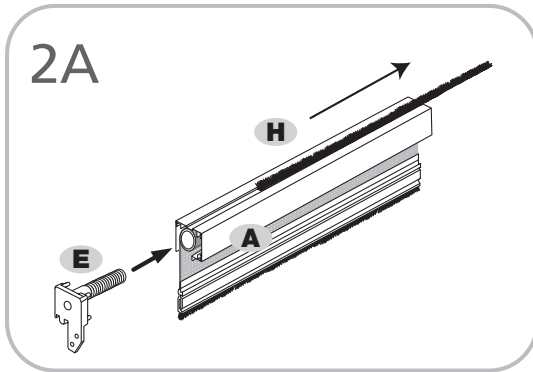


IMPORTANT
Be sure to make smooth, straight cuts. Only cut the A-Screen Cassette Assembly on the end *without* the F-End Cap with Operating Wand.

Record your opening measurements on the chart below to calculate your measurements.

Width		
OPENING WIDTH	LESS 7/8" TO ALLOW FOR END CAPS	CASSETTE LENGTH (A)
_____ "	- 7/8"	= _____ "
Height		
OPENING HEIGHT	LESS 2-1/8" TO ALLOW FOR CASSETTE END CAPS AND SURFACE MOUNT CLIPS	INSIDE & OUTSIDE RAIL LENGTHS (B & C)
_____ "	- 2 1/8"	= _____ "

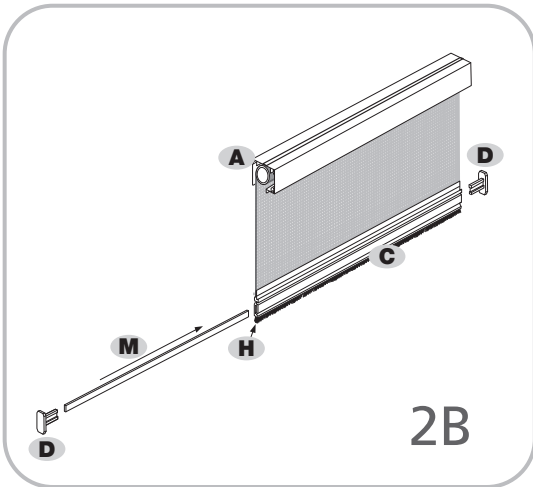
Cut all parts to length using the calculations above.
Keep the plastic film on the cassette until all cuts are completed.



2 PREPARING THE SCREEN CASSETTE

Insert **E-End Cap with Spring** into the correct end of the **A-Screen Cassette Assembly** [Fig 2A] (the assembly will only fit correctly in one end). Make sure to line up the spring and bushing notches with one of the small slots in the center screen tube. Wind the spring clockwise the number of turns designated in the following chart and push the **E-End Cap with Spring** in place on the **A-Screen Cassette Assembly**. A rubber mallet is helpful to fully seat the **E-End Cap with Spring**. Note that the spring in the cassette is for tension only. You will need to raise and lower the screen by using the **F-End Cap with Operating Wand**.

Remove the **H-Weatherstrip** from the groove at the back of the **A-Screen Cassette Assembly**. This weatherstrip is not used in a surface mount application [Fig 2A].

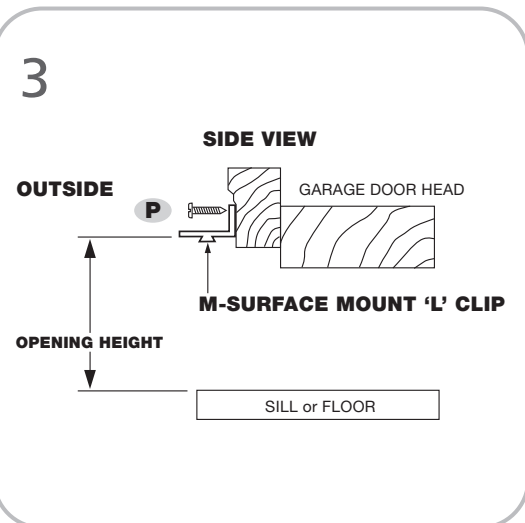


OPENING WIDTH	SPRING TENSION
36" - 72"	25
73" - 120"	30
120" - 140"	35
140" - 192"	40

OPPOSITE END OF CARTRIDGE (SEE PAGE 10)

Test **Operating Wand** for smooth operation. If it's too tight, loosen allen screw on the **F-End Cap with Operating Wand**. Insert the **F-End Cap with Operating Wand** into **A-Screen Cassette Assembly** and push into place.

Slide one piece of the **H-Weatherstrip** into bottom slot of **C-Pull Bar**. The **M-Weight Bars** are already inserted inside the hollow of the **C-Pull Bar**. Now insert the **D-Pull Bar End Caps** into ends of **C-Pull Bar** [Fig 2B].

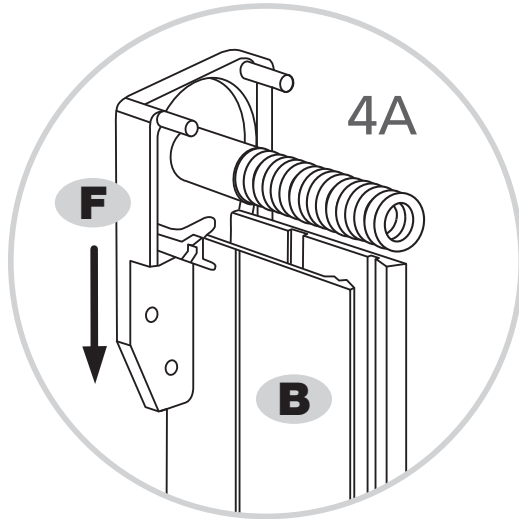


3 MOUNTING THE SCREEN CASSETTE

Slide the **K-Surface Mount 'L' Clips** into the top of the **A-Screen Cassette**.

The clips should be evenly spaced along the **A-Screen Cassette Assembly**. Make sure cassette is level and then screw clips in place with using a **P - #8x3/4" (19mm) Panhead Screw**.

4 INSTALLING SIDE RAILS

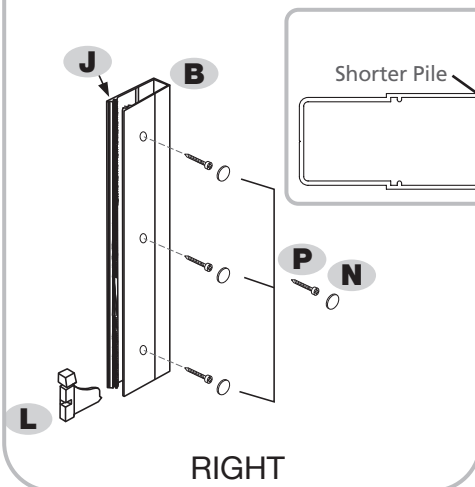
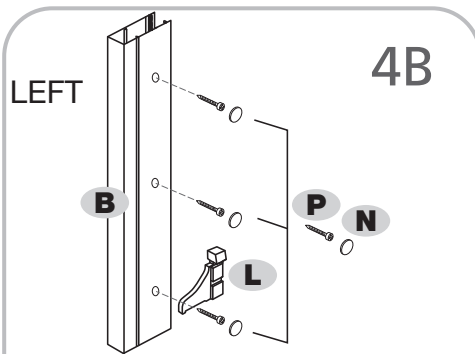


Install the **J-Pull Bar Locks** at the bottom of each **B-Inside Rail**. Be sure that the **J-Pull Bar Lock** can engage the **C-Pull Bar** as shown in image [Fig 4C]. Slide **B-Inside Rails** onto the tabs protruding from the **E and F-Cassette End Caps**, with the shorter pile to the inside [Fig 4D]. Use an 1/8" drill bit and first drill through both sides of the **B-Inside Rails** where they are to be fastened. Next, using a 3/8" bit, drill through the outside face only. This will allow you to snap the **L-Screw Cover Caps** in place. Square and attach **B-Inside Rails** with **N-#8 x 3/4" (19mm) Phillips Pan-head Screws**. Install **L-Screen Cover Caps** into each hole in the **B-Inside Rails**.

Using the height adjustment wheels on the **J-Pull Bar Locks**, adjust the height to the appropriate level so they easily engage the **C-Pull Bar**. When correctly adjusted the latching and unlatching should be smooth and easy.

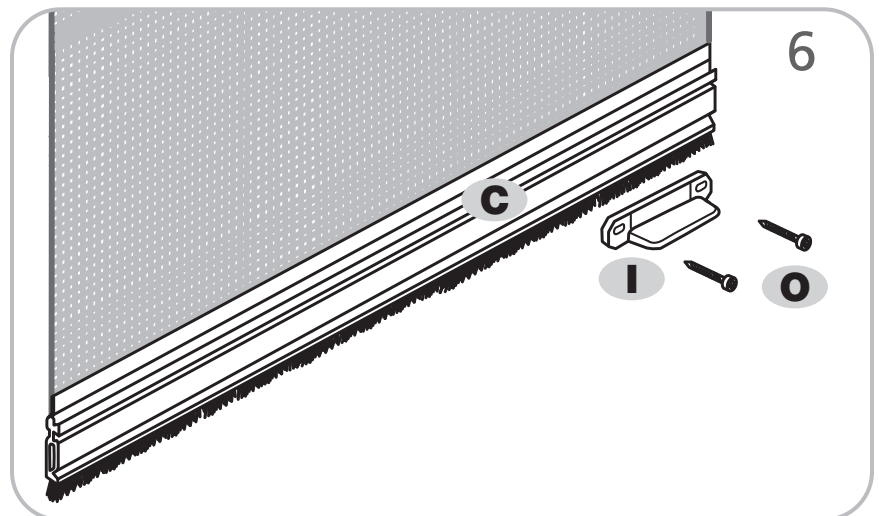
5 INSTALL THE TENSION DEVICE

Go to page 10.

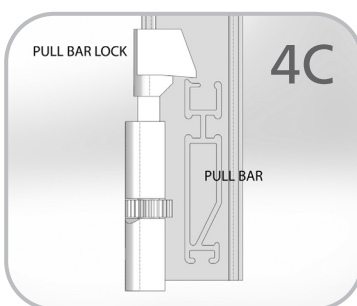


6 FOOT RELEASE LEVER

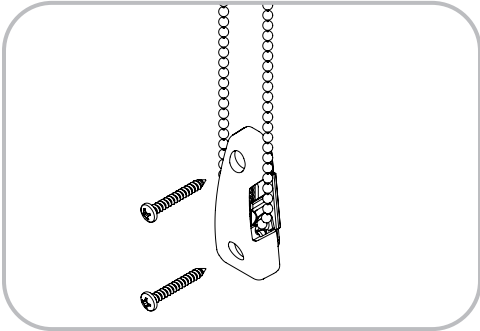
The **I-Foot Release Lever** is an optional feature that makes it easier to slightly rotate the **C-Pull Bar** in order to disengage the **J-Pull Bar Locks** [Fig FIG 4C] without bending over. Before installing, position the **I-Foot Release Lever** 16" to 20" from the end of the **C-Pull Bar** on the side closest to the **Operating Wand**. Attach the **I-Foot Release Lever** to the **C-Pull Bar** using two **O-#6 x 3/8" (9mm) Phillips Panhead Screws**.



Windy conditions may affect the performance of a retractable screen. Retract the screen in windy circumstances, during inclement weather, when not needed to support immediate ventilation or during prolong periods when not used.



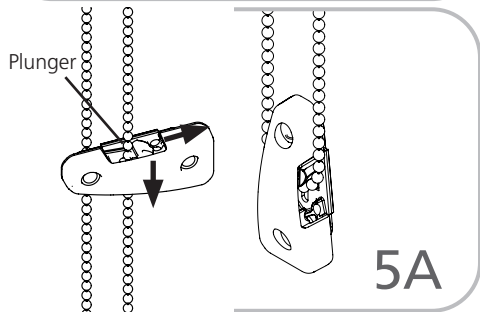
See page 10 for Operating Wand Instructions.



5 PARTS LIST

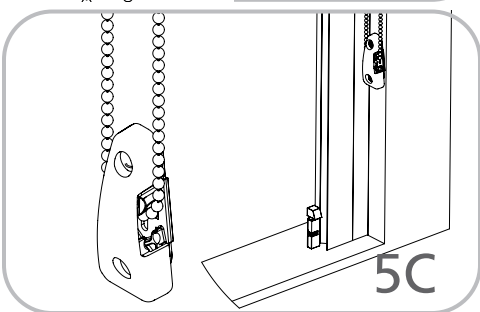
Chain Tension Device and #8 x 3/4 Phillips Panhead Screw

IMPORTANT: When mounting tension device to a wood surface, provided screws can be driven directly into wood. When mounting tension device to drywall or metal, use anchors or fasteners that are designed for such substrates. Consult your hardware store, building materials retailer, or supplier for guidance on appropriate anchors or fasteners for your substrate.



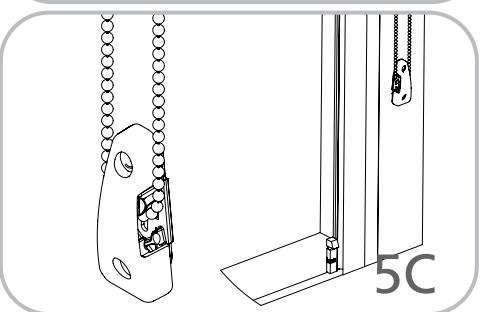
5A Depress the plunger with your fingers and slide the Tension Device down to the bottom of the chain.

5B Ensure the chain is not tangled or twisted.



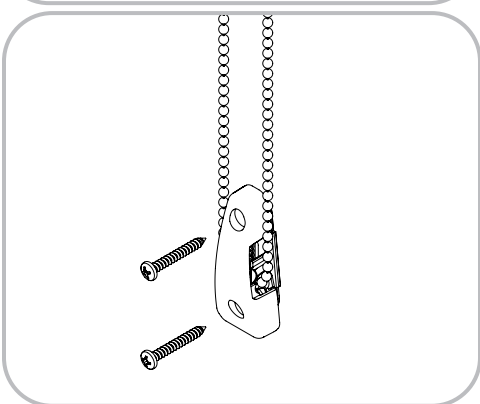
5C RECESS MOUNT INSTALLATIONS

With the narrow end up, pull down on the Tension Device until the Plunger is **compressed half way**. With the Plunger compressed, place the Tension Device against your frame as shown and make a mark through the two screw holes.



5C SURFACE MOUNT INSTALLATIONS

With the narrow end up, pull down on the Tension Device until the Plunger is **compressed half way**. With the Plunger compressed, place the Tension Device against your frame as shown and make a mark through the two screw holes.



5D If mounting to wood, drill holes through your marks with a 1/8" drill bit. Then secure the Tension Device using the provided Phillips panhead screws.

If not mounting the tension device to wood, use anchors or fasteners appropriate for the mounting substrate and follow anchor or fastener manufacturer's instructions.

WARNING



ADVERTENCIA

MISE EN GARDE



Window Blind Cord Can STRANGLE Your Child.

Keep cords out of children's reach. Shorten cords to prevent reach. Move crib and furniture away – Children can climb furniture to reach cords.

La cuerda de la persiana puede ESTRANGULAR a su niño.

Mantenga las cuerdas fuera del alcance de los niños. Acorte las cuerdas para evitar el alcance. Mueva la cuna y los muebles – Los niños pueden subir los muebles para alcanzar las cuerdas.

Le cordon de store pour fenêtre peut étrangler votre enfant.

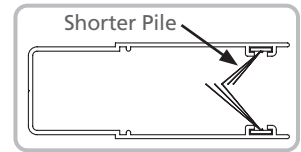
Gardez les cordons hors de portée des enfants. Raccourcissez les cordons pour empêcher l'accès. Eloignez le berceau et les meubles. Les enfants peuvent grimper sur les meubles pour atteindre les cordons.

TROUBLESHOOTING GUIDE

Retractable screens should always be installed square, plumb and level.

THE SCREEN FABRIC GETS BLOWN OUT OF THE SIDE TRACKS

- ▶ An Anti-Wind Brush Pile is located inside the Inside Rails. This Anti-Wind Pile is designed so that the stiff bristles of the Brush Pile will engage inside the holes of the screen fabric as wind blows/pushes on the fabric. Check that the aluminum walls of the Inside Rails have not been bent outward during customer installation since this will prevent proper engagement. If needed take your thumb and forefinger and gently run them along the length of the Inside Rails altering these back into a straight 90-degree position. This will reposition the Anti-Wind Pile so that it can perform as intended.
- ▶ Be sure that the Pull Bar Lock engages the Pull Bar as shown in image [Fig 4C]. Using the height adjustment wheel on the Pull Bar Lock, adjust the height to the appropriate level so that it easily engages the Pull Bar. When correctly adjusted the latching and unlatching should be smooth and easy and the screen will stay latched until manually released.
- ▶ Check that the Anti-Wind Brush Pile has not been deformed or damaged and that it is still pointing in a 60 degree angle within the Inside Rails.
- ▶ Add an additional Weight Bar (or other ballast material) inside the Pull Bar.
- ▶ Windy conditions may affect the performance of a retractable screen. Retract the screen in windy circumstances, during inclement weather, when not needed to support immediate ventilation or during prolong periods when not used.



THE SCREEN IS DIFFICULT TO PULL DOWN OR UP

- ▶ Check that the screen has been installed in a square and plumb opening. Adjust the opening as needed.
- ▶ An Anti-Wind Brush Pile is located just inside the Inside Rails. Gently run your finger or another soft object down each side of the screen fabric in order to release the engagement of the Anti-Wind Brush Pile within the small openings in the Screen Fabric. Now retract the screen.
- ▶ Check and correct any interference (e.g. screws or debris) inside the Inside Rails.
- ▶ Check that the Pull Bar glides smoothly. Slightly trim the aluminum PULL BAR if needed.
- ▶ Check to see if the Weatherstrip is catching or binding in the Inside Rails
- ▶ Remove the plastic Cassette End Cap with Operating Wand from the Screen Cassette Assembly and verify that the bolt or allen screw is not fastened so tightly that it is restricting the operation.
- ▶ Check that the tension device mounting screws have not loosened, and that the plunger is compressed far enough to allow the chain to pass through it easily. Confirm that the mounting fasteners and anchors are appropriate for the substrate and replace if necessary, and tighten the fasteners. If necessary, reposition the tension device slightly lower to provide additional clearance for the chain to pass through it easily.

THE SCREEN DOES NOT RETRACT EVENLY

- ▶ Check that the screen has been installed in a square and plumb opening. Correct the opening as needed.
- ▶ Pull the screen all the way down to the bottom of the opening and then retract the screen. This will often help the screen fabric to realign.
- ▶ Pull the screen all the way down to the bottom of the opening. Look to see if there are creases in the fabric or other signs indicating that the screen fabric may have rolled over itself inside the Screen Cassette Assembly. If needed remove the Screen Cassette Assembly from the opening, extend (unroll) all of the screen fabric and on the Screen Cassette Assembly and then retract the fabric making sure to remove any wrinkles or creases.

ANTI-WIND BRUSH PILE MOVES IN THE SIDE GUIDE RAILS

- ▶ The Anti-Wind Brush Pile that is located inside the aluminum Inside Rails need to be crimped securely in place so that it does not move within the channels of the Inside Rails (see step 4).

The L-PULL BAR LOCKS DO NOT CATCH ON THE D-PULL BAR

- ▶ Adjust the height of the latch on the Pull Bar Locks using the wheel style finger adjustment. The engagement of the Pull Bar Locks to the Pull Bar should match image 4C.

THE D-PULL BAR MOVES DURING WINDY CONDITIONS

- ▶ Add an additional Weight Bar (or other ballast material) inside the Pull Bar.
- ▶ Windy conditions may affect the performance of a retractable screen. Retract the screen in windy circumstances, during inclement weather, when not needed to support immediate ventilation or during prolong periods when not used.

THE SCREEN IS TORN OR WRINKLED

- ▶ Contact dealer to order a Screen Refill Replacement Kit

THE J-WEATHER STRIP DOES NOT SEAL AGAINST THE FLOOR/SILL

- ▶ Check that the screen has been installed in a square and plumb opening. Correct the opening as needed.
- ▶ Contact dealer to order the slightly larger optional Rubber Bulb Seal.
- ▶ Adjust the height of the latch on the Pull Bar Locks using the wheel finger adjustment. The engagement of the Pull Bar Locks to the Pull Bar should match image 4C.
- ▶ Add an additional Weight Bar (or other ballast material) inside the Pull Bar.

WHEN RETRACTED THE L-PULL BAR WITH SCREEN FABRIC FALLS DOWN SEVERAL INCHES

- ▶ Add spring tension.



Installation Questions? Missing Parts? Replacement Parts?

DON'T GO BACK TO THE STORE!

Please call our Homeowner HelpLine: 1-866-523-9511